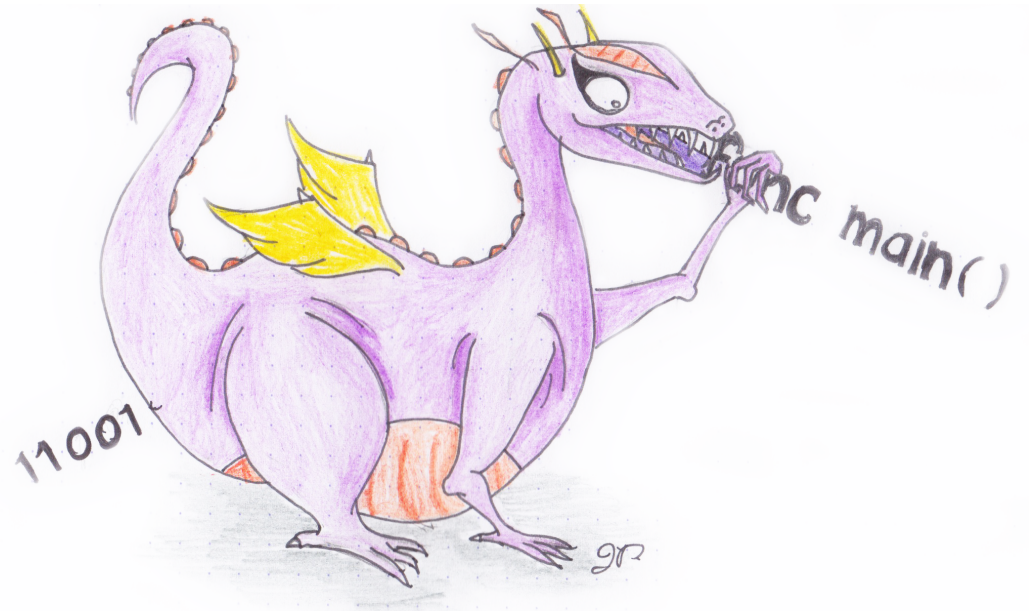
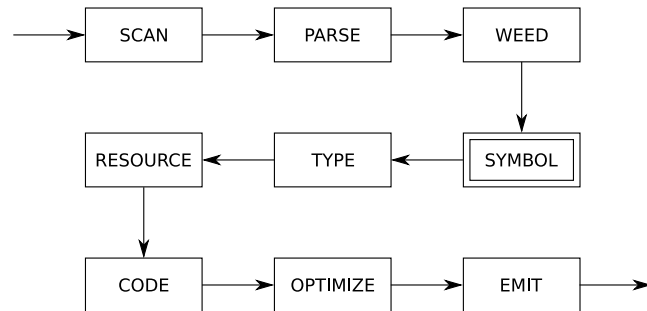


Symbol Tables

COMP 520: Compiler Design (4 credits)

Professor Laurie Hendren

hendren@cs.mcgill.ca



WendyTheWhitespace-IntolerantDragon

WendyTheWhitespacenogarDtnarelotnl

***Symbol tables* are used to describe and analyse definitions and uses of identifiers.**

Grammars are too weak; the language:

$$\{w\alpha w \mid w \in \Sigma^*\}$$

is not context-free.

A symbol table is a map from identifiers to meanings:

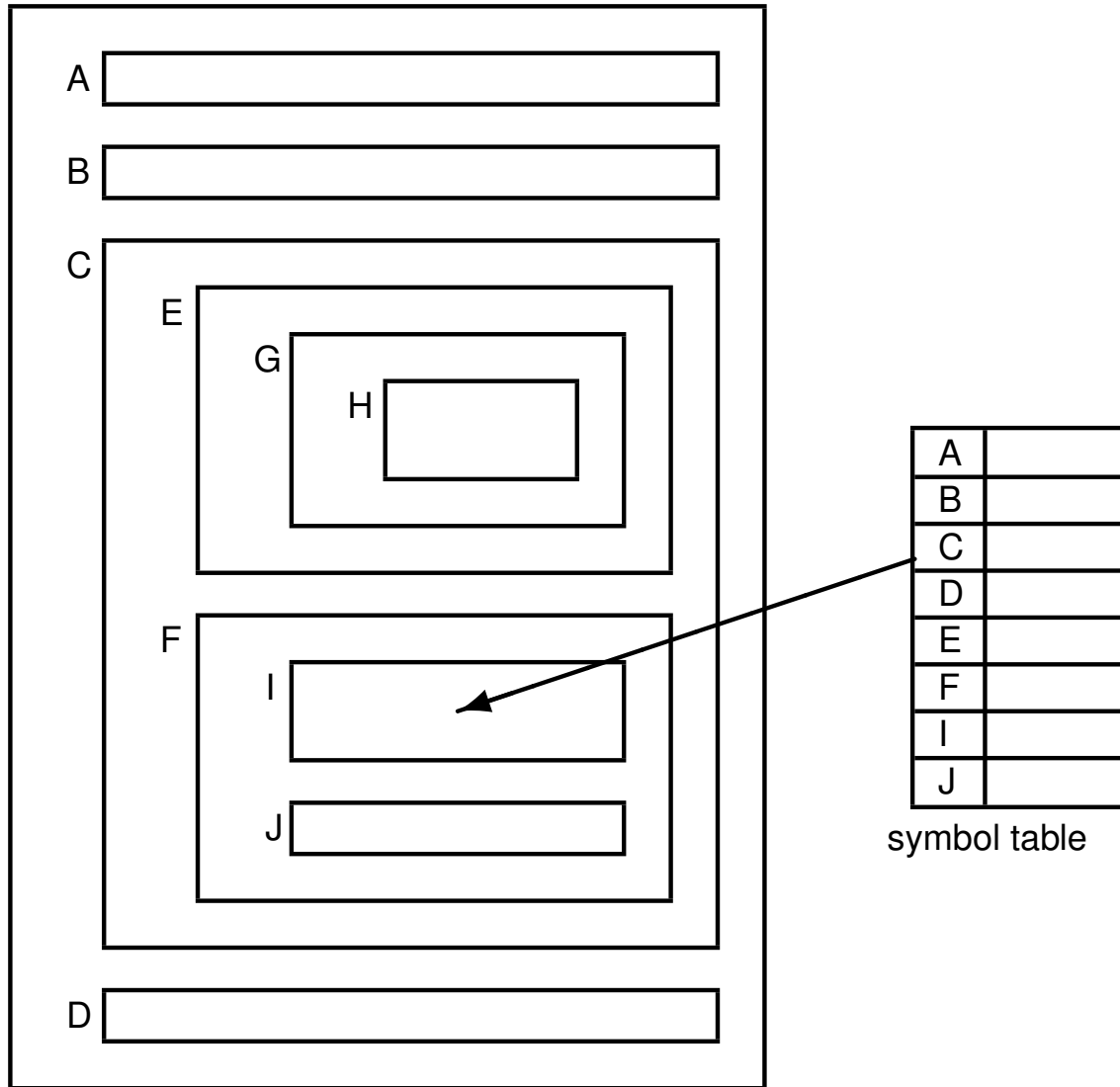
i	local	int
done	local	boolean
insert	method	...
List	class	...
x	formal	List
⋮	⋮	⋮

We must construct a symbol table for every program point.

Using symbol tables to analyse JOOS:

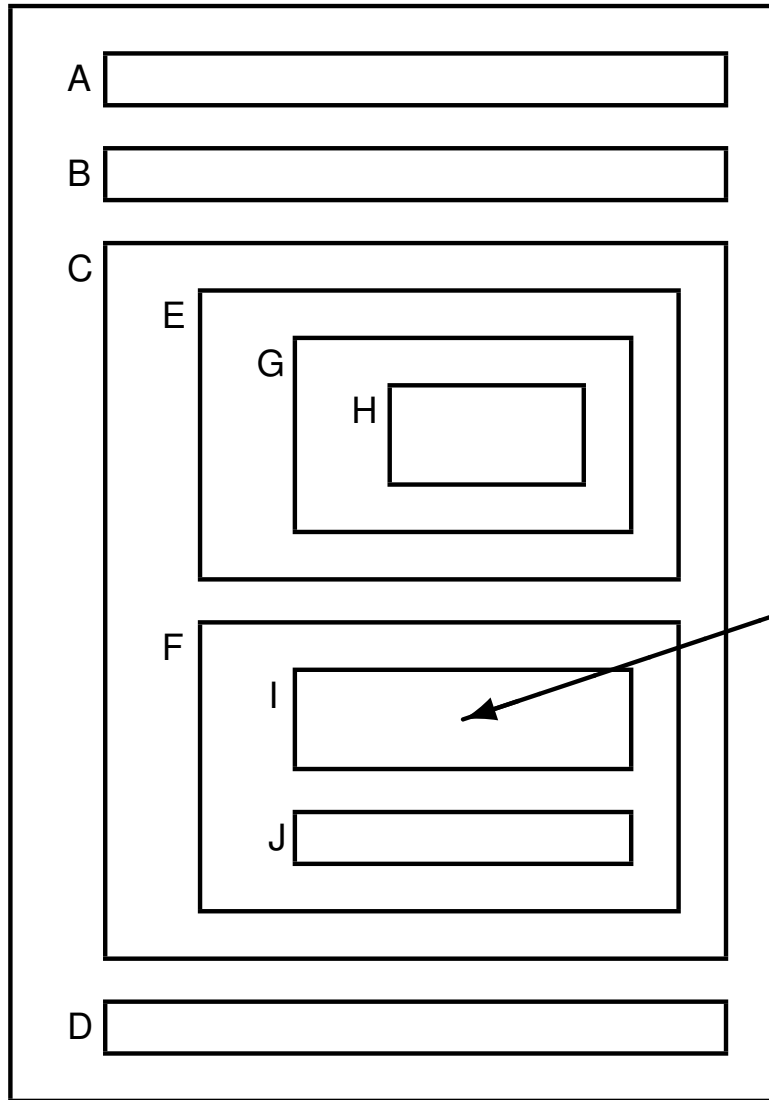
- which classes are defined;
- what is the inheritance hierarchy;
- is the hierarchy well-formed;
- which fields are defined;
- which methods are defined;
- what are the signatures of methods;
- are identifiers defined twice;
- are identifiers defined when used; and
- are identifiers used properly?

Static, nested scope rules:



The standard of modern languages.

Old-style one-pass technology:



A	
B	
C	
D	
E	
F	
I	
J	

symbol table

Still haunts some languages:

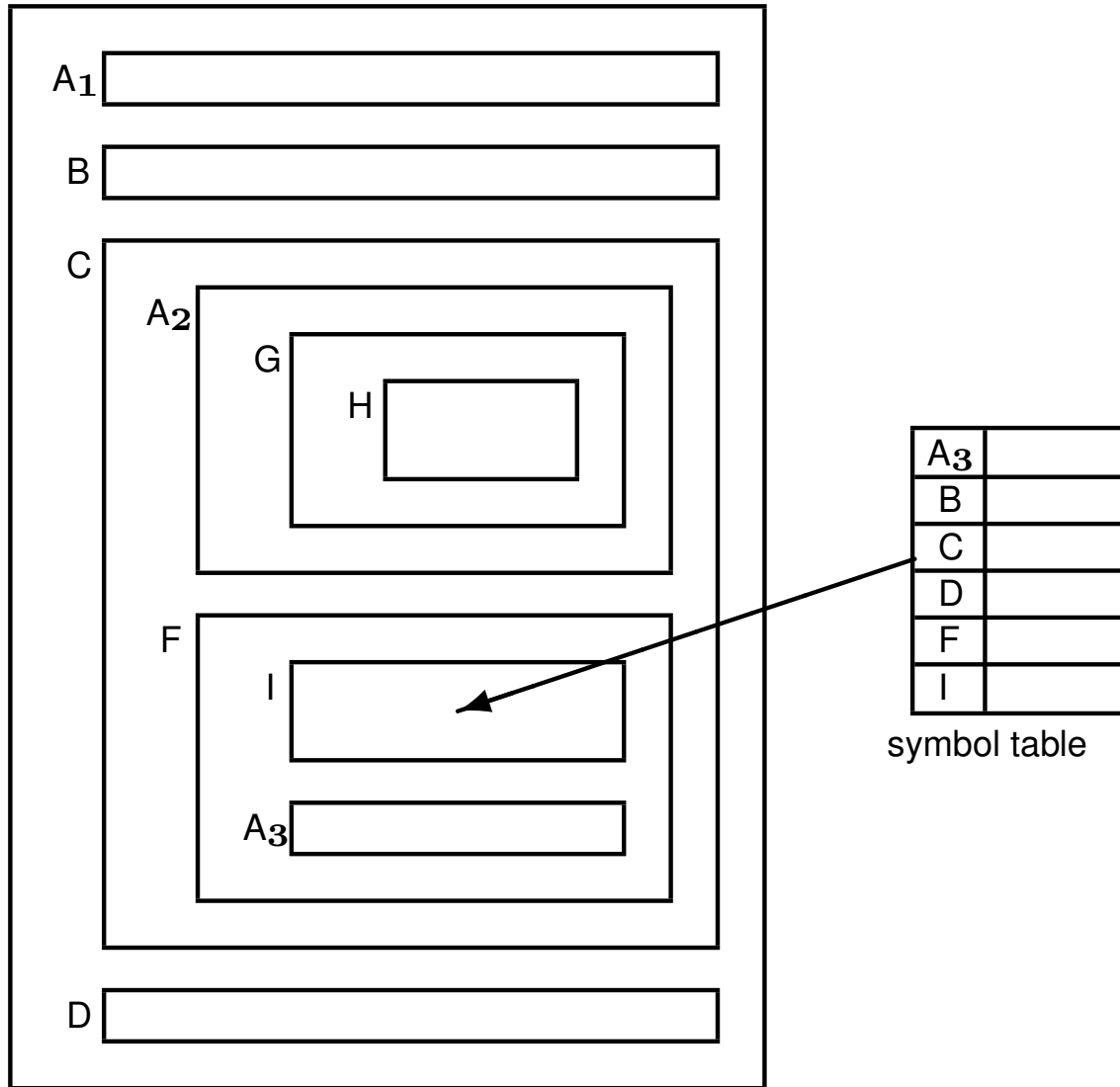
```
void weedPROGRAM (PROGRAM *p) ;
```

```
void weedCLASSFILE (CLASSFILE *c) ;
```

```
void weedCLASS (CLASS *c) ;
```

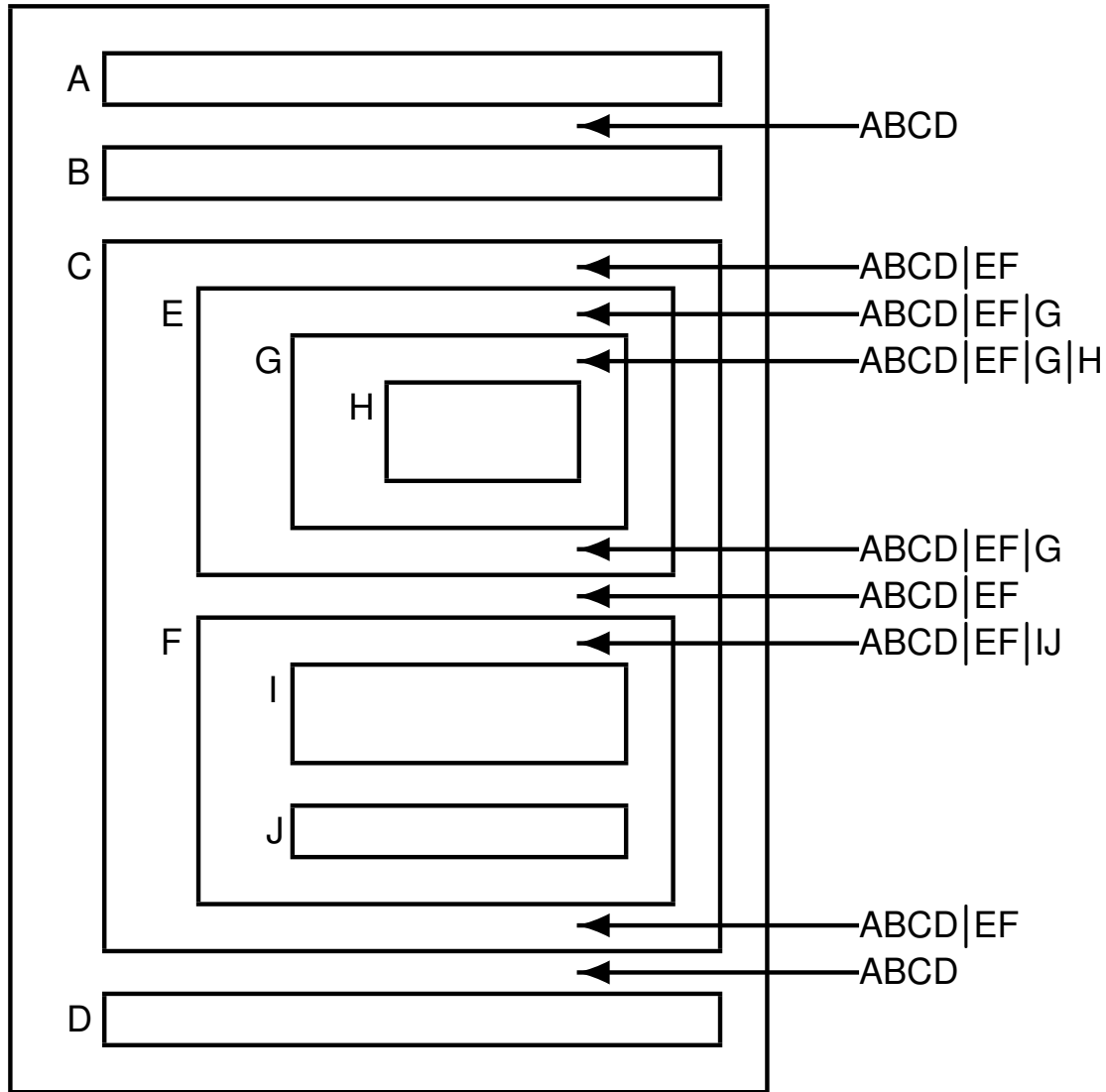
Forward declarations enable recursion.

Use the most closely nested definition:



Identifiers at same level must be unique.

The symbol table behaves like a stack:



The symbol table can be implemented as a simple stack:

- `pushSymbol(SymbolTable *t, char *name, ...)`
- `popSymbol(SymbolTable *t)`
- `getSymbol(SymbolTable *t, char *name)`

But how do we detect multiple definitions of an identifier at the same level?

Use *bookmarks* and a *cactus stack*:

- `scopeSymbolTable(SymbolTable *t)`
- `putSymbol(SymbolTable *t, char *name, ...)`
- `unscopeSymbolTable(SymbolTable *t)`
- `getSymbol(SymbolTable *t, char *name)`

Still just linear search, though.

Implement symbol tables as a cactus stack of *hash tables*:

- each hash table contains the identifiers in a level;
- push a new hash table when a level is entered;
- each identifier is entered in the top-most hash table;
- it is an error if it is already there;
- a use of an identifier is looked up in the hash tables from top to bottom;
- it is an error if it is not found;
- pop a hash table when a level is left (but, don't deallocate, because AST nodes will have links to elements).

What is a good hash function on identifiers?

Use the initial letter:

- codePROGRAM, codeMETHOD, codeEXP, ...

Use the sum of the letters:

- doesn't distinguish letter order

Use the shifted sum of the letters:

```

"j" = 106 = 0000000001101010
shift      0000000011010100
+ "o" = 111 = 0000000001101111
=          0000000101000011
shift      0000001010000110
+ "o" = 111 = 0000000001101111
=          0000001011110101
shift      0000010111101010
+ "s" = 115 = 0000000001110011
=          0000011001011101 = 1629

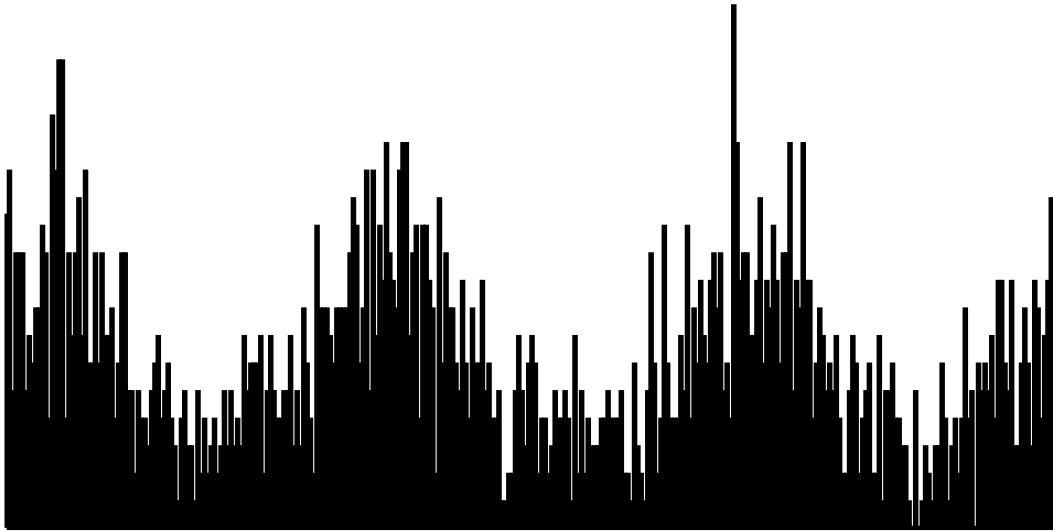
```

Hash tables for the JOOS source code - option 1:



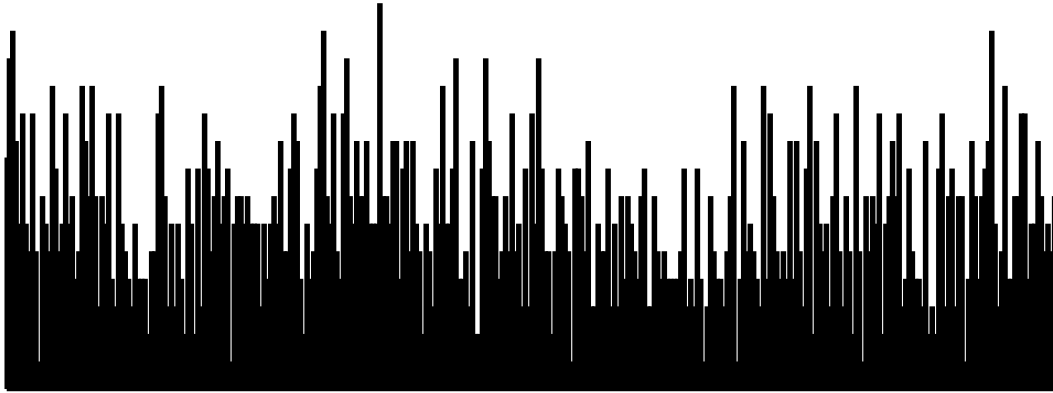
```
hash = *str;
```

Hash tables for the JOOS source code - option 2:



```
while (*str) hash = hash + *str++;
```

Hash tables for the JOOS source code - option 3:



```
while (*str) hash = (hash << 1) + *str++;
```

```
$ cat symbol.h      # data structure definitions
```

```
#define HashSize 317
```

```
typedef struct SymbolTable {  
    SYMBOL *table[HashSize];  
    struct SymbolTable *next;  
} SymbolTable;
```

```
$ cat symbol.c      # data structure operations
```

```
int Hash(char *str)  
{ unsigned int hash = 0;  
  while (*str) hash = (hash << 1) + *str++;  
  return hash % HashSize;  
}
```

More of symbol.c

```
SymbolTable *initSymbolTable()
{ SymbolTable *t;
  int i;
  t = NEW(SymbolTable);
  for (i=0; i < HashSize; i++) t->table[i] = NULL;
  t->next = NULL;
  return t;
}
```

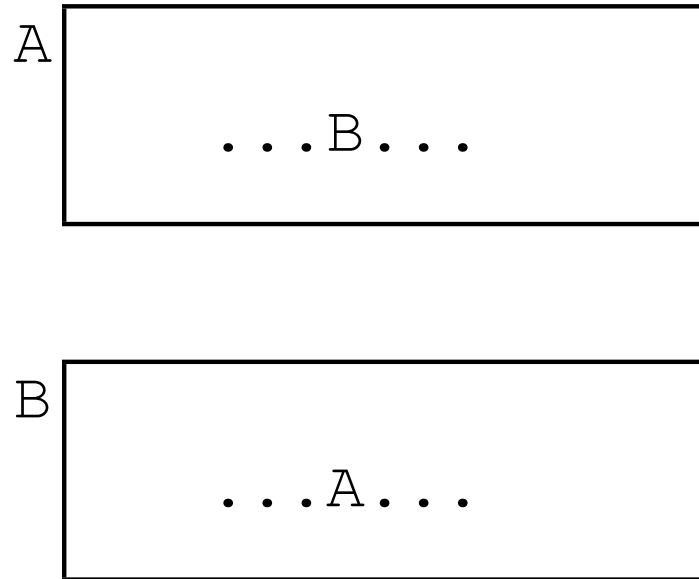
```
SymbolTable *scopeSymbolTable(SymbolTable *s)
{ SymbolTable *t;
  t = initSymbolTable();
  t->next = s;
  return t;
}
```



```
SYMBOL *putSymbol(SymbolTable *t, char *name,
                  SymbolKind kind)
{ int i = Hash(name);
  SYMBOL *s;
  for (s = t->table[i]; s; s = s->next) {
    if (strcmp(s->name, name)==0) return s;
  }
  s = NEW(SYMBOL);
  s->name = name;
  s->kind = kind;
  s->next = t->table[i];
  t->table[i] = s;
  return s;
}
```

```
SYMBOL *getSymbol(SymbolTable *t, char *name)
{ int i = Hash(name);
  SYMBOL *s;
  for (s = t->table[i]; s; s = s->next) {
    if (strcmp(s->name, name)==0) return s;
  }
  if (t->next==NULL) return NULL;
  return getSymbol(t->next, name);
}
```

```
int defSymbol(SymbolTable *t, char *name)
{ int i = Hash(name);
  SYMBOL *s;
  for (s = t->table[i]; s; s = s->next) {
    if (strcmp(s->name, name)==0) return 1;
  }
  return 0;
}
```

How to handle mutual recursion:

A single traversal of the abstract syntax tree is not enough.

Make two traversals:

- collect definitions of identifiers; and
- analyse uses of identifiers.

For cases like recursive types, the definition is not completed before the second traversal.

Symbol information in JOOS:

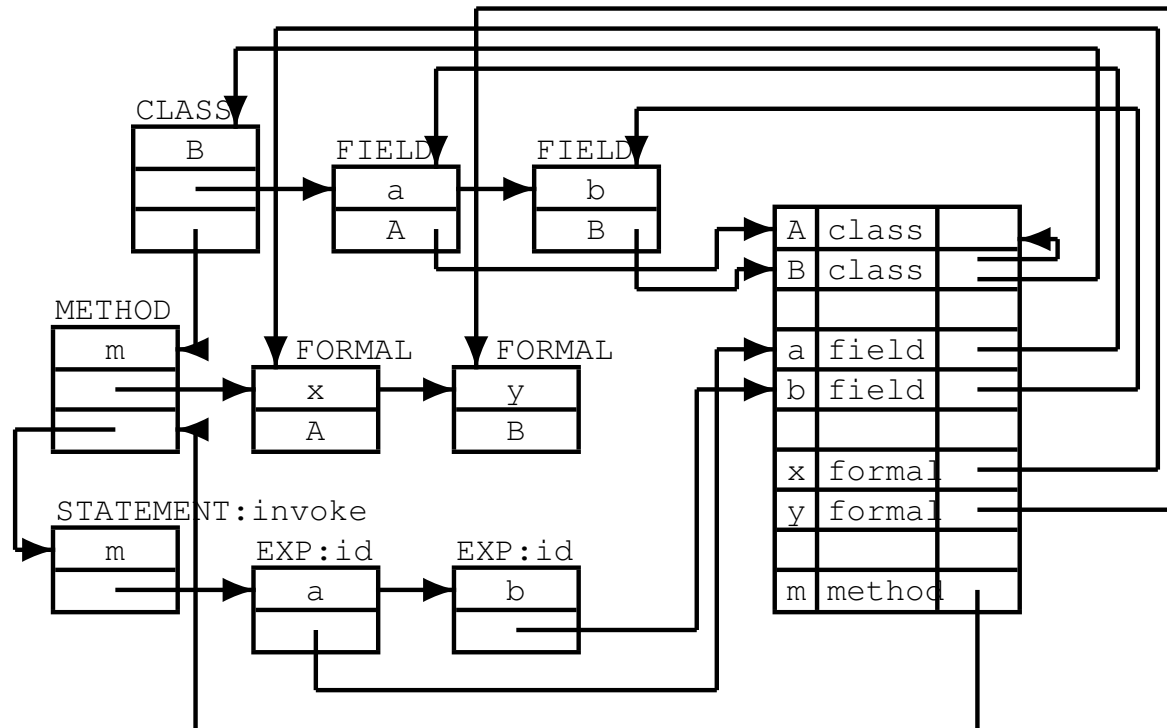
```
$ cat tree.h
[...]  
typedef enum{classSym, fieldSym, methodSym,  
            formalSym, localSym} SymbolKind;  
  
typedef struct SYMBOL {  
    char *name;  
    SymbolKind kind;  
    union {  
        struct CLASS *classS;  
        struct FIELD *fields;  
        struct METHOD *methodS;  
        struct FORMAL *formalS;  
        struct LOCAL *localS;  
    } val;  
    struct SYMBOL *next;  
} SYMBOL;  
[...]
```

The information refers to abstract syntax tree nodes.

Symbol tables are weaved together with abstract syntax trees:

```
public class B extends A {
    protected A a;
    protected B b;

    public void m(A x, B y) {
        this.m(a,b);
    }
}
```



Complicated recursion in JOOS is resolved through multiple passes:

```
$ cat symbol.c
[...]  
void symPROGRAM(PROGRAM *p)  
{ classlib = initSymbolTable();  
  symInterfacePROGRAM(p, classlib);  
  symInterfaceTypesPROGRAM(p, classlib);  
  symImplementationPROGRAM(p);  
}  
[...]
```

Each pass goes into further detail:

- `symInterfacePROGRAM`:
define classes and their interfaces;
- `symInterfaceTypesPROGRAM`:
build hierarchy and analyse interface types; and
- `symImplementationPROGRAM`:
define locals and analyse method bodies.

Defining a JOOS class:

```
void symInterfaceCLASS (CLASS *c, SymbolTable *sym)
{ SYMBOL *s;
  if (defSymbol (sym, c->name)) {
    reportStrError ("class name %s already defined",
                  c->name, c->lineno);
  } else {
    s = putSymbol (sym, c->name, classSym);
    s->val.classS = c;
    c->localsym = initSymbolTable ();
    symInterfaceFIELD (c->fields, c->localsym);
    symInterfaceCONSTRUCTOR (c->constructors,
                             c->name, c->localsym);
    symInterfaceMETHOD (c->methods, c->localsym);
  }
}
```

Defining a JOOS method:

```
void symInterfaceMETHOD (METHOD *m, SymbolTable *sym)
{ SYMBOL *s;
  if (m!=NULL) {
    symInterfaceMETHOD (m->next, sym);
    if (defSymbol (sym, m->name)) {
      reportStrError ("method name %s already defined",
                     m->name, m->lineno);
    } else {
      s = putSymbol (sym, m->name, methodSym);
      s->val.methodS = m;
    }
  }
}
```

and its signature:

```
void symInterfaceTypesMETHOD (METHOD *m, SymbolTable *sym)
{ if (m!=NULL) {
  symInterfaceTypesMETHOD (m->next, sym);
  symTYPE (m->returntype, sym);
  symInterfaceTypesFORMAL (m->formals, sym);
}
}
```


Analysing JOOS statements:

```
void symImplementationSTATEMENT (STATEMENT *s, CLASS *this,
                                SymbolTable *sym, int stat)
{ SymbolTable *ssym;
  if (s!=NULL) {
    switch (s->kind) {

      [...]

      case localK:
        symImplementationLOCAL (s->val.localS, sym);
        break;

      [...]

      case blockK:
        ssym = scopeSymbolTable (sym);
        symImplementationSTATEMENT (s->val.blockS.body,
                                    this, ssym, stat);
        break;

      [...]
    }
  }
}
```

Analysing JOOS local declarations:

```
void symImplementationLOCAL(LOCAL *l, SymbolTable *sym)
{ SYMBOL *s;
  if (l!=NULL) {
    symImplementationLOCAL(l->next, sym);
    symTYPE(l->type, sym);
    if (defSymbol(sym, l->name)) {
      reportStrError("local %s already declared",
                    l->name, l->lineno);
    } else {
      s = putSymbol(sym, l->name, localSym);
      s->val.localS = l;
    }
  }
}
```

Identifier lookup in the JOOS class hierarchy:

```
SYMBOL *lookupHierarchy(char *name, CLASS *start)
{ SYMBOL *s;
  if (start==NULL) return NULL;
  s = getSymbol(start->localsym, name);
  if (s!=NULL) return s;
  if (start->parent==NULL) return NULL;
  return lookupHierarchy(name, start->parent);
}
```

```
CLASS *lookupHierarchyClass(char *name, CLASS *start)
{ SYMBOL *s;
  if (start==NULL) return NULL;
  s = getSymbol(start->localsym, name);
  if (s!=NULL) return start;
  if (start->parent==NULL) return NULL;
  return lookupHierarchyClass(name, start->parent);
}
```

What is the difference between these two functions?

Analysing expressions:

```
void symImplementationEXP (EXP *e, CLASS *this,
                          SymbolTable *sym, int stat)
{ switch (e->kind) {
  case idK:
    e->val.idE.idsym = symVar(e->val.idE.name, sym,
                              this, e->lineno, stat);

    break;
  case assignK:
    e->val.assignE.leftsym =
      symVar(e->val.assignE.left, sym,
            this, e->lineno, stat);
    symImplementationEXP (e->val.assignE.right,
                          this, sym, stat);

    break;

  [...]
}
}
```

Analysing an identifier:

```
SYMBOL *symVar(char *name, SymbolTable *sym,
               CLASS *this, int lineno, int stat)
{ SYMBOL *s;
  s = getSymbol(sym, name);
  if (s==NULL) {
    s = lookupHierarchy(name, this);
    if (s==NULL) {
      reportStrError("identifier %s not declared",
                    name, lineno);
    } else {
      if (s->kind!=fieldSym)
        reportStrError(
          "%s is not a variable as expected",
          name, lineno); }
    } else {
      if ((s->kind!=fieldSym) && (s->kind!=formalSym) &&
          (s->kind!=localSym))
        reportStrError("%s is not a variable as expected",
                      name, lineno);
    }
  if (s!=NULL && s->kind==fieldSym && stat)
    reportStrError("illegal static reference to %s",
                  name, lineno);
  return s;
}
```

The testing strategy for the symbol tables involves an extension of the pretty printer.

A textual representation of the symbol table is printed once for every scope area.

- In Java, use `toString()`.

These tables are then compared to a corresponding manual construction for a sufficient collection of programs.

Furthermore, every error message should be provoked by some test program.